

ORKNEY
BUILT TO LAST



ORKNEY
BUILT TO LAST



Lockable wheelhouse with excellent all-round visibility

Spacious self draining cockpit

Safe high cockpit coamings & wide side decks

Spacious cabin with plenty of storage

Outboard or Diesel stern drive options

PILOTHOUSE 20

Originally developed from the highly regarded Day Angler 19+, the Pilot House 20 is now in its Fourth generation and continues to be a popular size model in the range with both Cruisers and Fishermen alike.

With a generous beam along the waterline spray chines it offers good stability without a significant increase in wetted surface. The hull features a reasonably deep forefoot with fine forward sections and pronounced flare developing into a moderate V aft. The resulting shape, combined with a moderate beam/length ratio, results in a dry, comfortable ride in rough seas.

The fully moulded cockpit has safe high coamings and is self draining with useful stowage under hinged lids. Wide side decks with practical 'angled-in' toe rails and pilot style coach roof handrails make going forward to the foredeck simple and secure.

The wheelhouse offers commanding all round views from a forward facing Helm and Co Pilot seat.

ORKNEY

BUILT TO LAST

CONSTRUCTION

Hull, deck and ancillary mouldings are constructed in hand lay-up GRP. Isophthalic resin is used in the hull which is stiffened below the waterline by bonded-in bulkheads and longitudinal stringers. The cabin and cockpit are formed by GRP modules which are bonded into the hull to increase rigidity. One piece deck moulding utilises complex core stiffening and is both bonded and mechanically fastened to the hull.

STANDARD COLOURS

Orkney Oxford Blue Hull
Orkney Silver Grey topsides & superstructure
Boot top stripe in White

STANDARD EQUIPMENT DECK EQUIPMENT

Stainless steel bow roller
Bow & stern mooring cleats
Stainless steel handrails from wheelhouse to cabin top
Stainless steel bulkhead grab handles
Opening hatch on forward coachroof
Heavy duty all round PVC 'D' section fendering with stainless steel end caps

COCKPIT

Constructed in GRP with moulded-in non-slip surface to walking areas
Full self draining through transom scuppers
Inspection hatch giving access to bilge
Moulded steps/seats to side decks incorporated lidded lockers
Under floor fuel tank locker with gas strut assisted lockable lid
Stowage lockers with hinged lids
Outboard well to suit single outboard

Pictures left from top to bottom:
Black frame and tinted slide opening windows - see Valiant option
Premium 'Valiant' interior
Optional Synthetic Teak effect cockpit sole

Pictures right from top to bottom:
Optional stainless side rail and rod stowage racks
Corian type foldout galley with Combi sink and single gas burner option
Diesel inboard sterndrive option



PILOTHOUSE 20

ACCOMMODATION WHEELHOUSE

Lockable GRP alloy framed bulkhead cabin door with window
Alloy framed toughened glass windows all round
Helm station to Starboard
Fire extinguisher stowage
Co-pilot seat to Port with stowage under
Step to cockpit with battery stowage under
Helmsman's seat with stowage under

FORWARD ACCOMMODATION

Vinyl upholstered base cushions to berth and seating area forward with storage under
Area with hinged lid ahead of steering console to take optional toilet

OUTBOARD ENGINE VERSION

Wheel steering fitted to console with push/pull type cable to suit through pivot tube outboard engines. Maximum engine horsepower 80hp

DIESEL STERNDRIVE VERSION

Mer cruiser QSD2.0 4cyl 2.0 litre turbocharged 130hp diesel engine
Sound deadened engine compartment with hinged lid
Integrated Stainless steel fuel tank approx 30 gallons/136 litres with in-line prefilter electric fuel contents gauge
Heavy duty battery with isolator switch wired to both engine and switch panel in wheelhouse

ENGINEERING

Windscreen wiper for helmsman only
5-gang electric switch panel
Fitted manual bilge pump

LOOSE EQUIPMENT

Manual fire extinguisher



VALIANT PACKAGE

The Pilot House Valiant package offers the highest specification available in the Orkney Range with premium fittings. It combines Orkney's trademark features with that extra touch of luxury and style for those looking to cruise a little further with the extra comforts that this boat has to offer.

In addition to standard specification:

- *Valiant Dark Navy Blue hull*
- *Black frame and tinted window package including opening side windows in wheelhouse*
- *Stainless steel pulpit*
- *Deck hardware package comprising stainless steel mid ship cleats, fender eyes & fair leads on foredeck*
- *Compass at helm position*
- *Navigation lights*
- *Cabin lighting throughout*
- *B gang switch panel with 12v socket in lieu of standard*
- *Windscreen wiper for co pilot*
- *Deluxe galley under forward folding co pilot seat comprising combination single burner gas stove & stainless steel sink unit with hinged glass cover & corian style galley worktop*
- *Premium upholstery with choice of colours from selected range*
- *Upholstered headliner panels in wheelhouse*
- *Partial bulkhead ahead of co pilot seat & galley*
- *Sea toilet and holding tank to Starboard ahead of helm console with privacy curtain*
- *Teak & ebony laminate flooring with non slip surface fitted to cabin & wheelhouse sole*
- *Light Oak faced cabin table & double berth conversion with infill cushion*
- *Water tank & 12v water pump (cold water only)*



PILOTHOUSE 20



DAY ANGLER PACKAGE

The Pilot House 20 Day Angler package offers all the essential items for those looking to properly equip the boat for serious sea fishing.

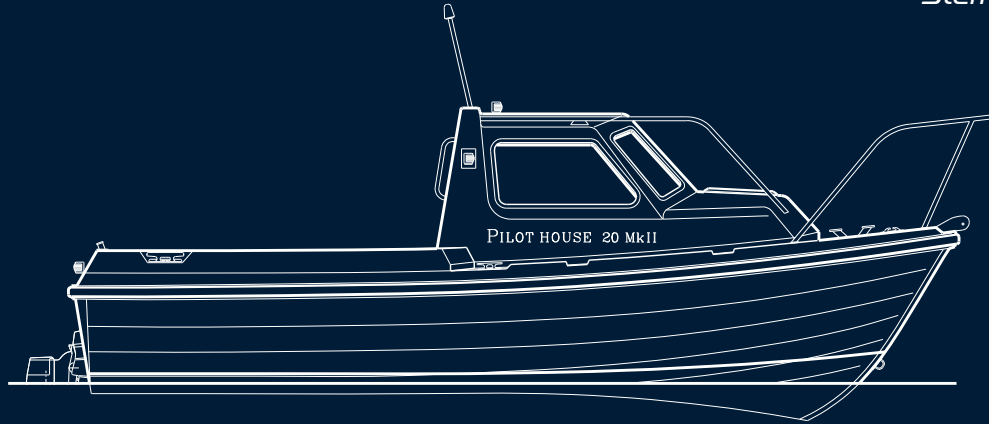
The Pilot House 20 can lend itself perfectly to the job combining surefooted handling and workmanlike practicality in a boat that is easy to tow and launch.

In addition to standard specification

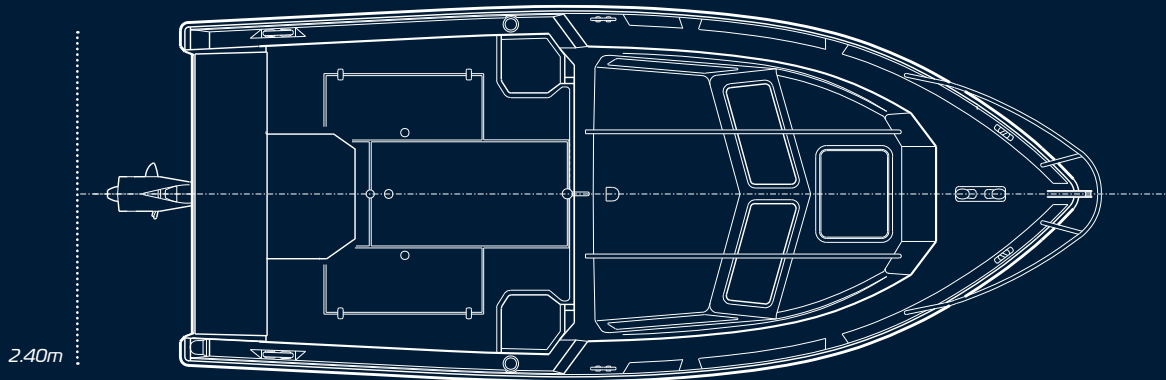
- *Portable gas stove on special GRP moulded base situated beneath co pilot seat cushion*
- *Red and white cabin light*
- *Compass at helm position*
- *Navigation lights*
- *12v salt water deck wash pump in cockpit, comprising a seawater inlet, pressure pump, spray nozzle and switch*
- *Stainless steel side rails on cockpit coamings*
- *Stainless steel rod holders in cockpit coamings*
- *Rod racks in cockpit*
- *Live bait well under Port side cockpit seat lid with 12v aerator pump*

PILOTHOUSE 20

Sterndrive Version

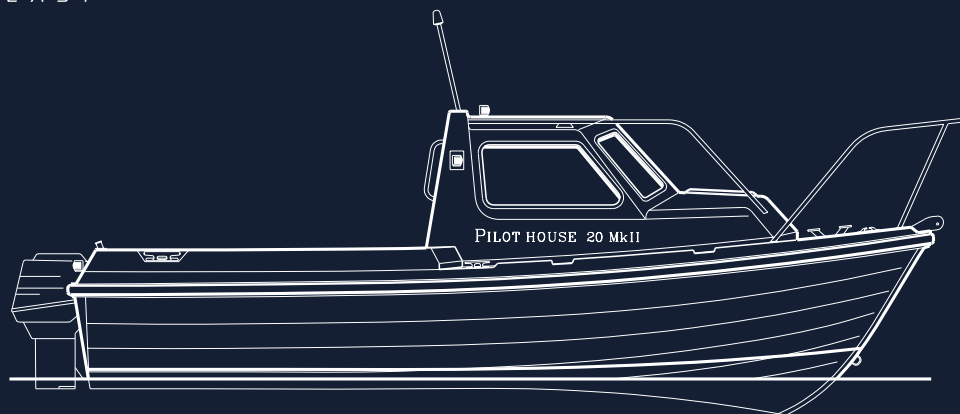


5.95m

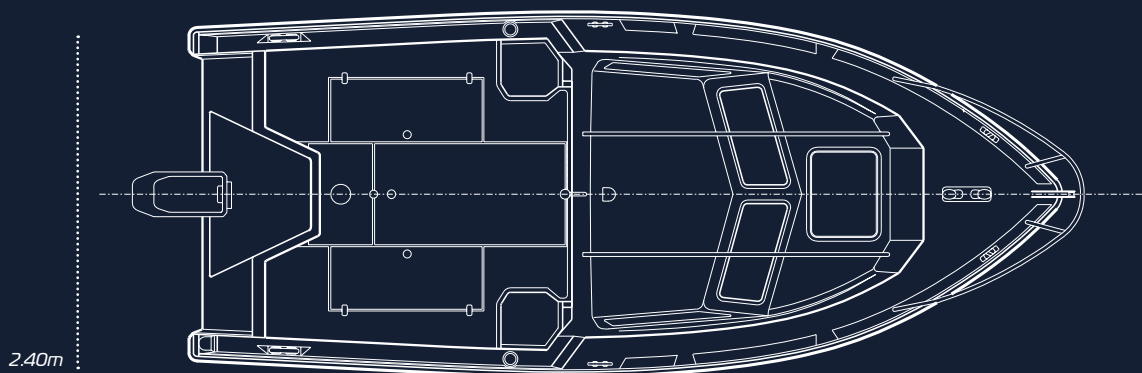


2.40m

Length	19'6"	5.95m	Performance Indicator	130hp	23kts	Engine Type	Diesel inboard sterndrive
Beam	7'10"	2.40m				Recommended hp Range	130hp
Displacement	2030lbs	925kg				Max Engine hp	130hp
Self Draining Cockpit	y		Optimum Design Speed	15kts			
			Max Design Speed	23kts			
Payload						Fuel Capacity	135ltrs
Max Persons	7					Water Capacity	16ltrs (optional)
Max Load ¹	785kg						
RCD Category	Cat C						



5.95m



2.40m

Length	19'6"	5.95m	Performance Indicator	30hp	12kts	Engine Type	Single Outboard
Beam	7'10"	2.40m		60hp	18kts	Outboard Shaft Type	Long shaft
Displacement	2030lbs	925kg		80hp	23kts	Recommended hp Range	30hp 80hp
Self Draining Cockpit	y					Max Engine hp	80hp
<hr/>			Optimum Design Speed	15kts		Fuel Capacity	3x25 ltrs
Payload			Max Design Speed	23kts			135 ltrs (optional)
Max Persons	7					Water Capacity	16 ltrs (optional)
Max Load	785kg						
RCD Category	Cat C						

PILOTHOUSE RANGE

	PILOTHOUSE 20		PILOTHOUSE 25 (SD)		PILOTHOUSE 25 (OB)		PILOTHOUSE 27	
Length	19'6"	5.95m	24'8"	7.60m	24'8"	7.93m	26'8"	7.93m
Beam	7'10"	2.40m	9'2"	2.80m	9'2"	2.80m	9'2"	2.80m
Displacement (note 1)	2030lbs	925kg	7500lbs	3400kg	TBC		7940lbs	3600kg
Self Draining Cockpit (note 2)	y		y		y		y	
Payload (note 3)								
Max Persons	7		10		10		10	
Max Load	785kg		1400kg		1400kg		1400kg	
RCD Category	Cat C		Cat B		Cat B		Cat B	
Performance Indicator (note 4)	30hp	12kts	170hp	23kts	170hp	23kts	170hp	23kts
	60hp	18kts	220hp	25kts	220hp	25kts	260hp	27kts
	80hp	23kts	250hp	27kts	240hp	27kts	300hp (TZ)27kts	
Engine Type (note 5)	SO / SZ		SZ		SO/TO		SZ / TZ	
Outboard Shaft Type	Long shaft		n/a		Longshaft		n/a	
Recommended hp Range	30hp	80hp	170hp	250hp	200hp	230hp	240hp	300hp
Max Engine hp	80hp (SO)	130hp (SZ)	250hp(SZ)	300hp (TZ)	200hp (SO) 2 x 115hp (TO)		260hp (SZ)	300hp (TZ)
Optimum Design Speed (note 6)	15kts		17kts		17kts		17kts	
Max Design Speed (note 7)	23kts		27kts		27kts		27kts	
Fuel Capacity (note 8)	3x25 (SO)	135ltrs (SZ)	365ltrs 2x227ltrs(opt)		365ltrs 2x227ltrs(opt)		365ltrs (SZ) 2x227ltrs opt(TZ)	
Holding Tank	25ltrs (optional)		43ltrs		43ltrs		43ltrs	
Water Capacity	16 ltrs (optional)		70ltrs		70ltrs		70ltrs	

Please Note: All Weights, Measurements and Performance indicators are approximate. Dimensions and weights do not include engines or accessories, except where otherwise indicated. Drawings and illustrations are not to scale and they may show boats fitted with optional equipment. For specifications and full details of accessories, please see our current price list.